

Pneumatic Operated Paper Feeder



Designed to support and augment the UV Coating process in large volume. The Paper Feeder helps in Automization of the Paper Feeding Process. As a result, it saves Manpower, and brings quick Efficiency in the Coating process.

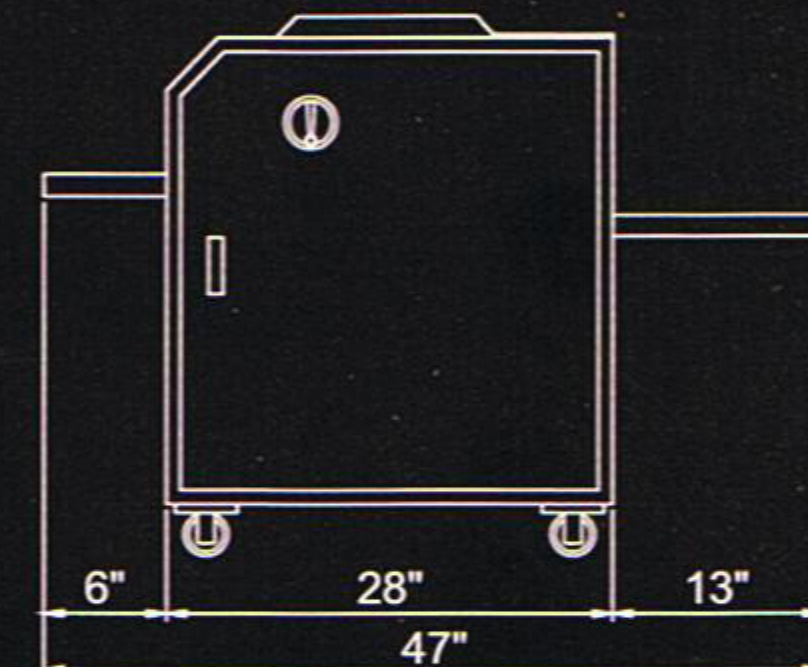
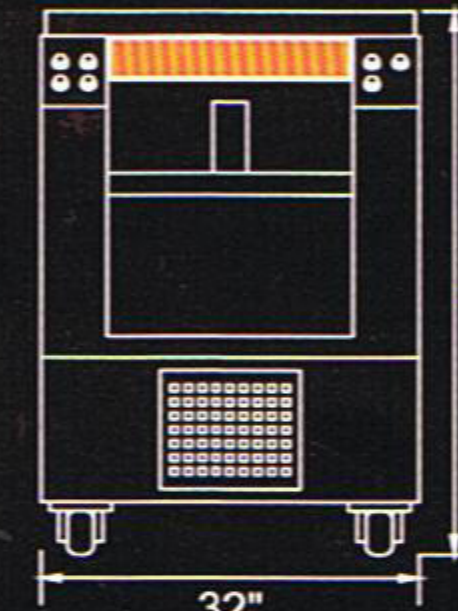
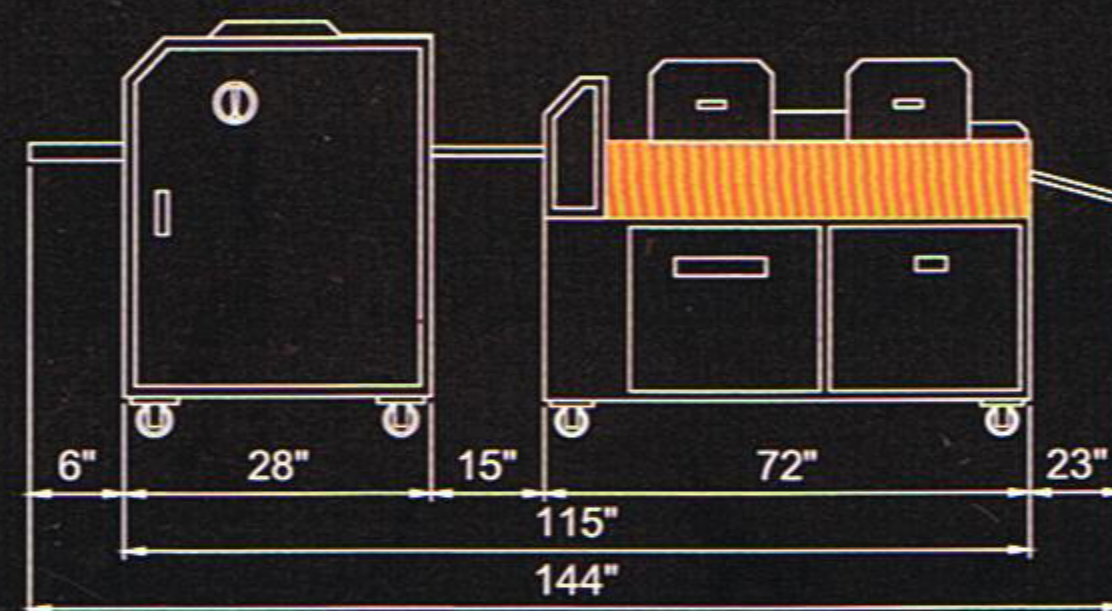


Key features :

Works for paper sizes of 15" x 22" and 21" x 31"

Handles paper thickness of 130 GSM to 400 GSM

Easily achieves speed of up to 3000 prints / hour



Pneumatic Connection is Required



www.pinnaclebinder.com
E-mail: info@pinnaclebinder.com